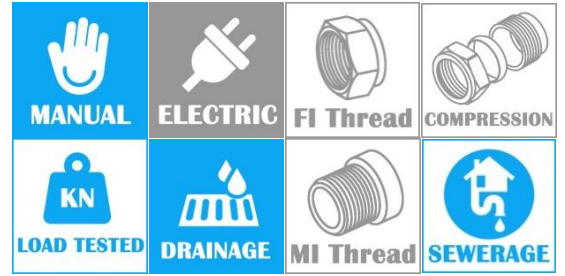


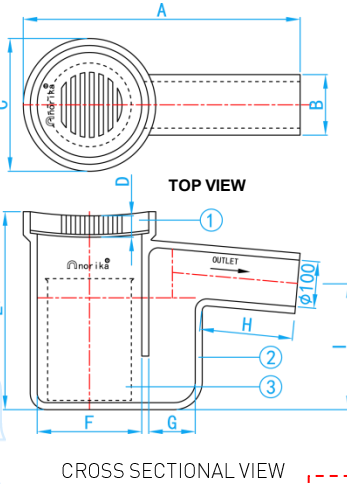
# CAST IRON GULLY TRAP AND STRAINER

COMPLY WITH THE GENERAL REQUIREMENTS OF PUB/WRN/STD/044.

GULLY TRAP

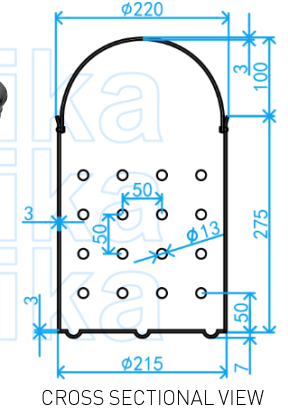


COVER SKU: CIGTC25050

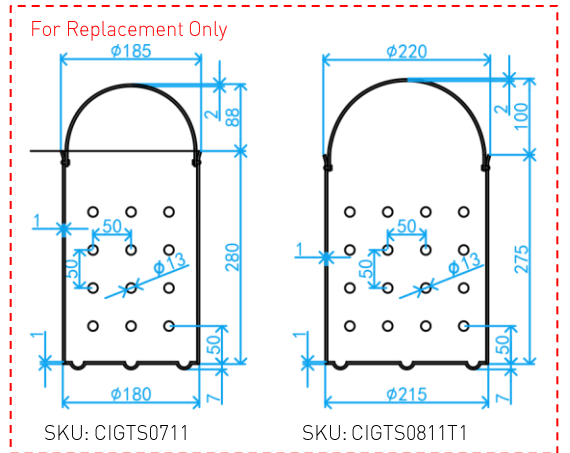


CROSS SECTIONAL VIEW

STRAINER SKU: CIGTS0811



CROSS SECTIONAL VIEW



### Fluid and Applications

Commonly used to hold wastewater in bin center/ refuse center

## GULLY TRAP

### COMPONENT PARTS

ITEM	PARTS	MATERIAL
1	Cover	Cast Iron (SKU:CIGTC25050)
2	Body	Cast Iron
3	Removable Strainer	A. Aluminium Alloy B. Stainless Steel

## STRAINER

### TYPE

SKU	STRAINER & HANDLE MATERIAL
CIGTS0811	Aluminium Alloy
CIGTS0811S	Stainless Steel 304
CIGTS0811SS316L	Stainless Steel 316L

## GULLY TRAP

### DIMENSIONS

SKU	A (mm)	B (mm)	C (mm)	D (mm)	E (mm)	F (mm)	G (mm)	H (mm)	I (mm)	WEIGHT (kg)
CIGT9417	585	115	285	40	425	225	100	200	270	45.5

\* Please specify aluminium or stainless steel strainer , upon placing order.